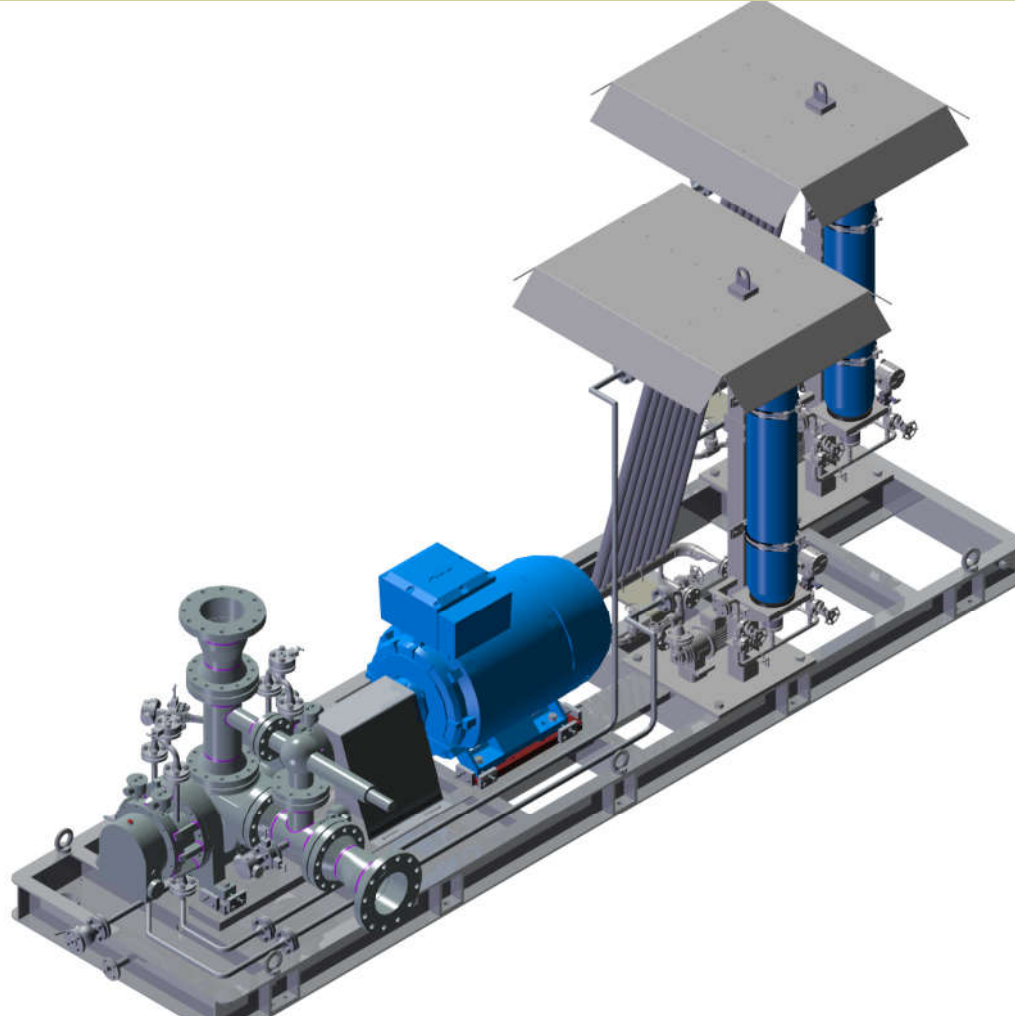


3P PRINZ® SKIDS AND PUMPS PACKAGES



3P PRINZ® PLANT IN LUCCA



3P Prinz Pump Manufacturing Company

3P PRINZ® PUMPS AND SKIDS WORKSHOP – LIFTING EQUIPMENT



3P PRINZ® PUMPS AND SKIDS WORKSHOP – LIFTING EQUIPMENT



3P Prinz Pump Manufacturing Company

3P PRINZ® TWIN SCREW PUMPS WORKSHOP –OIL&GAS PRODUCTS ASSEMBLY AND TESTING FACILITY



PERA-PRINZ® TWIN SCREW PUMPS WORKSHOP – WAREHOUSE AND OIL&GAS PRODUCTS ASSEMBLY FACILITY



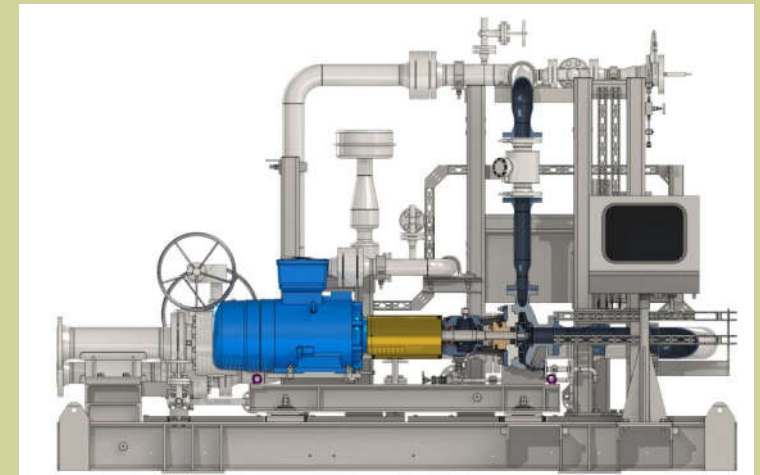
PERA-PRINZ® SKIDS AND PUMPS PACKAGES

PRODUCTION OF PUMP PACKAGES / SKIDS

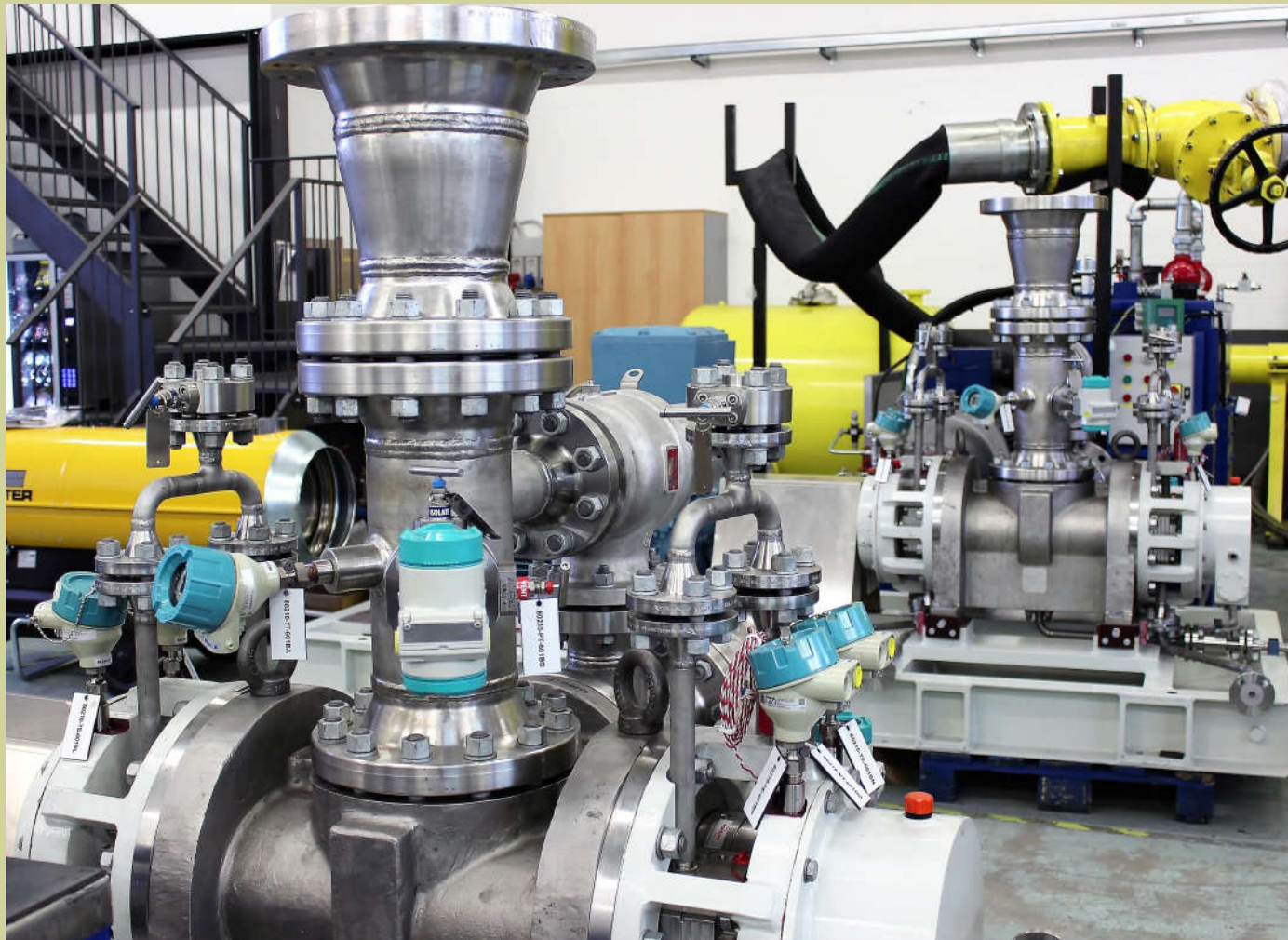
- In accordance to API 610, API 674, API 675, API 676
- Multiple Pump Skids
- Fuel Gas Handling and Treatment Skids
- Gas and Oil Metering Skids
- Lube Oil Systems API 614 Skids
- Pipeline Manifolds
- Water Treatment Skids (RO, UF, CIP)



3P Prinz Pump Manufacturing Company

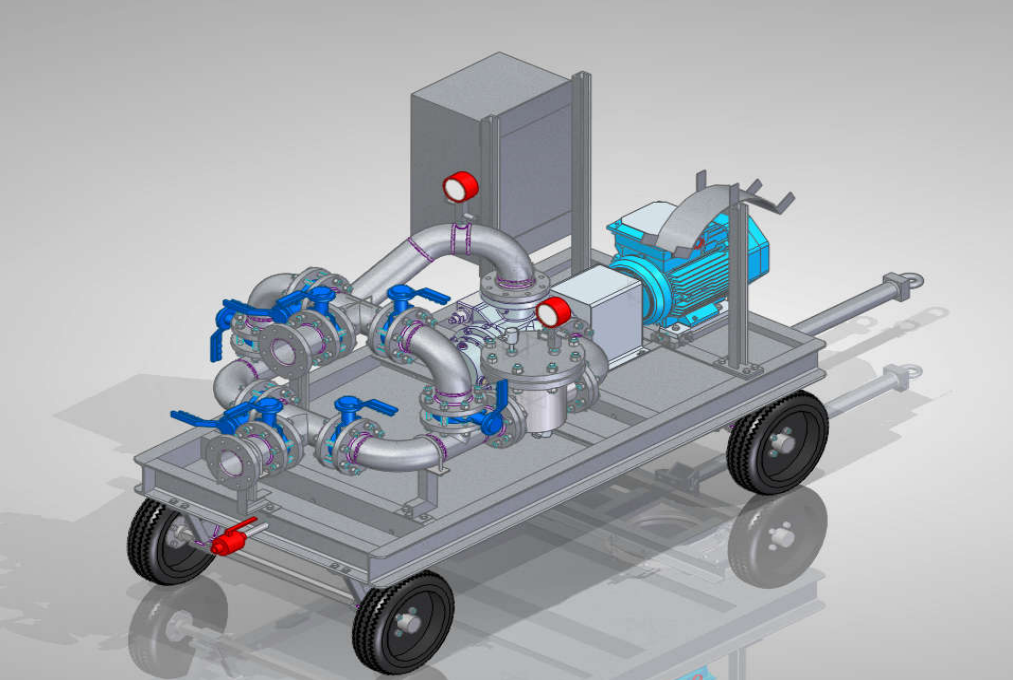


PERA-PRINZ® TWIN SCREW PUMPS PACKAGES – SEPARATION TANK BOTTOM TRANSFER PUMPING STATION



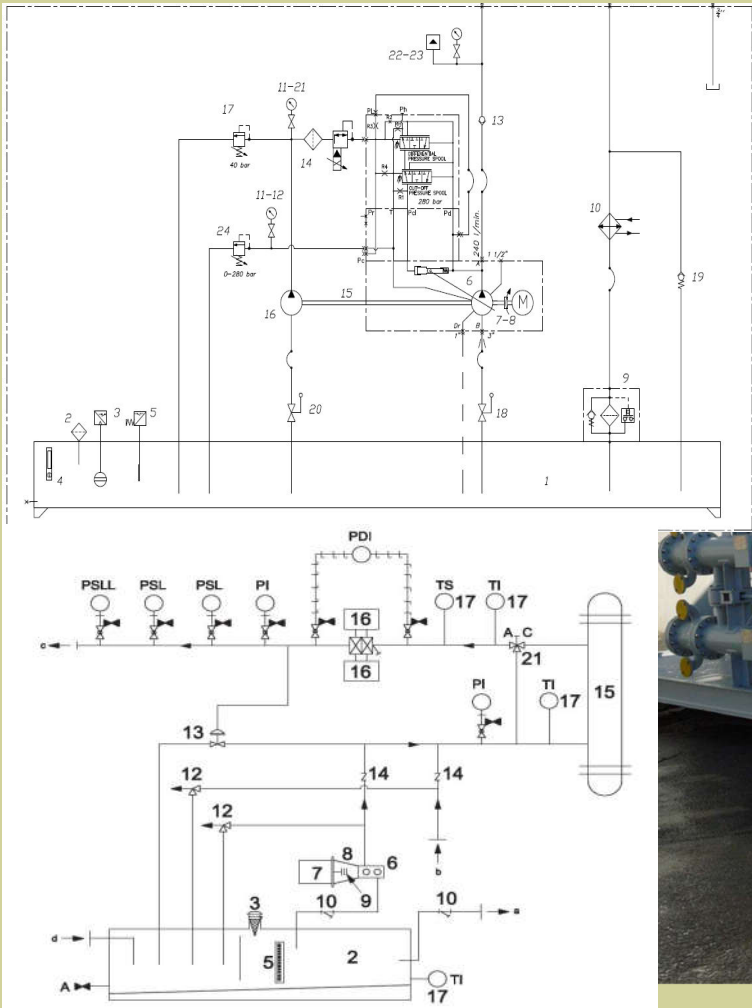
3P Prinz Pump Manufacturing Company

3P PRINZ® MOBILE PUMP UNLOADING PACKAGES



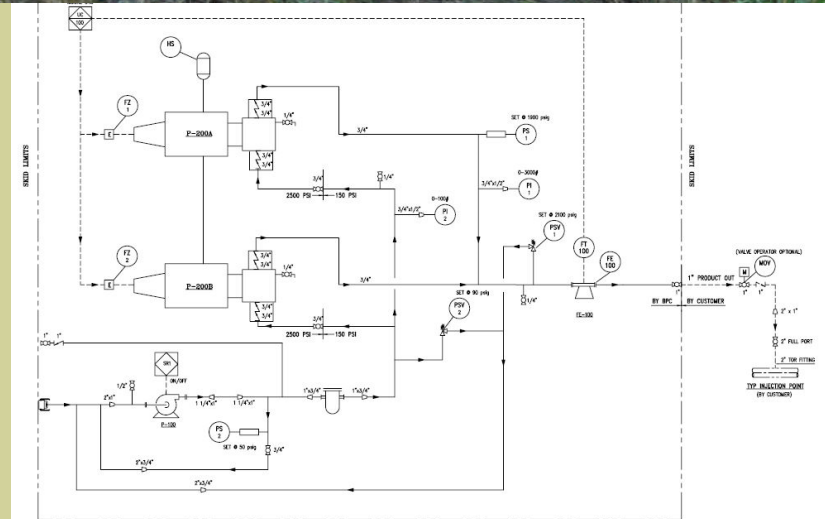
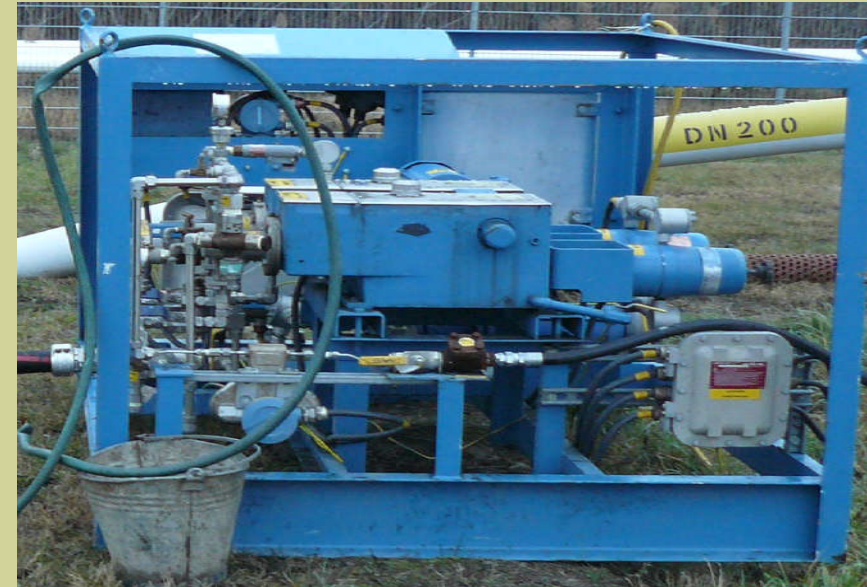
3P PRINZ® LUBE OIL SKIDS

- To Manufacturer's Standard
- In accordance to API 614



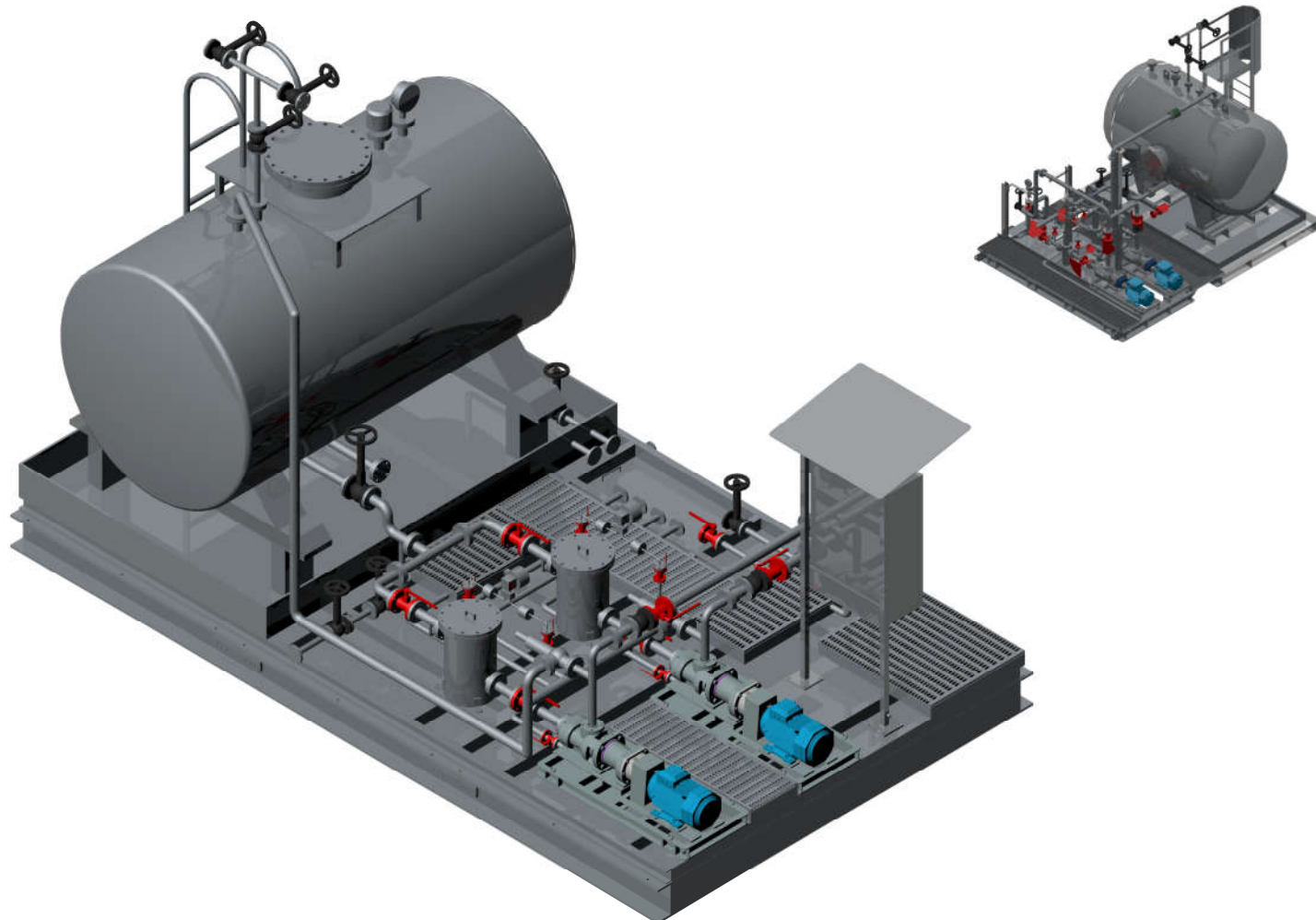
3P Prinz Pump Manufacturing Company

3P PRINZ® DRAG REDUCING AGENT (DRA) INJECTION SKIDS



3P Prinz Pump Manufacturing Company

3P PRINZ® TWIN SCREW PUMPS PACKAGES – HEAVY FUEL OIL COLLECTION SKID



3P Prinz Pump Manufacturing Company

PERA-PRINZ® TWIN SCREW PUMPS FOR TANK UNLOADING PACKAGES



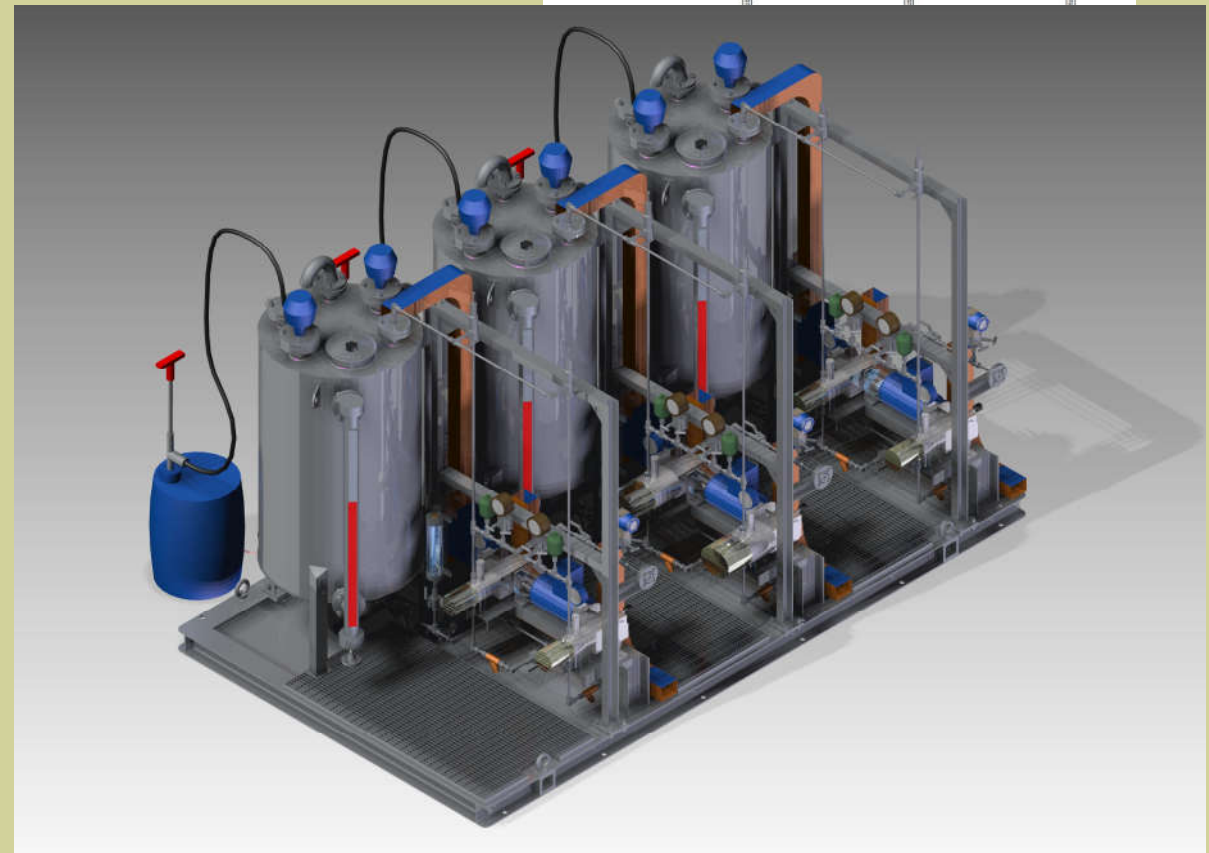
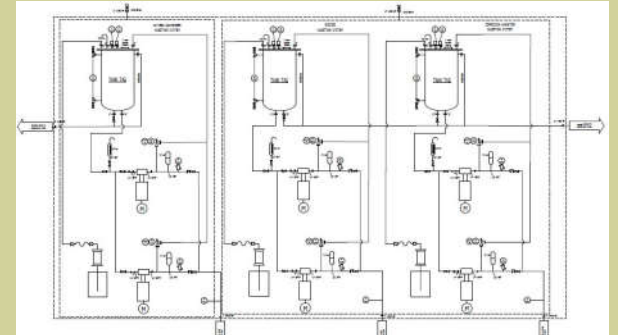
3P Prinz Pump Manufacturing Company

PERA-PRINZ® TWIN SCREW PUMPS SKIDS FOR BITUMEN AND VACUUM RESIDUE



3P Prinz Pump Manufacturing Company

3P PRINZ® CHEMICAL INJECTION PACKAGES



3P Prinz Pump Manufacturing Company

3P PRINZ® CHEMICAL INJECTION PACKAGES



3P Prinz Pump Manufacturing Company

3P PRINZ® CHEMICAL DOSING / INJECTION PACKAGES



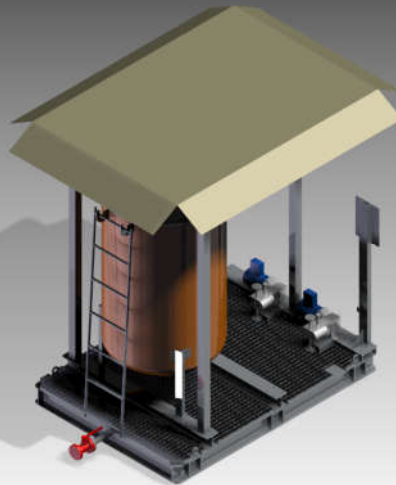
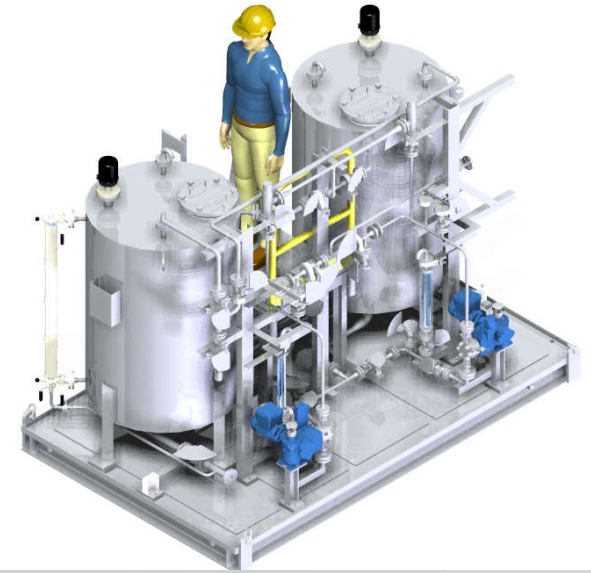
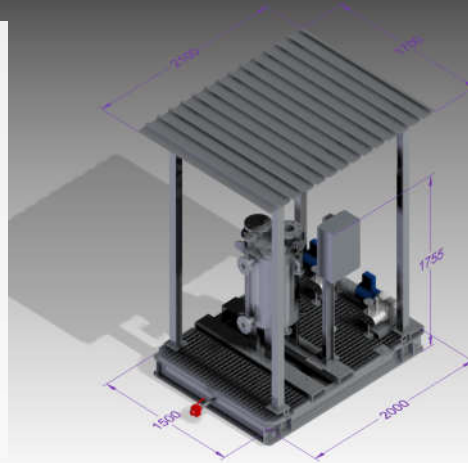
3P Prinz Pump Manufacturing Company

3P PRINZ® CHEMICAL DOSING / INJECTION PACKAGES



3P Prinz Pump Manufacturing Company

3P PRINZ® CHEMICAL INJECTION PACKAGES



3P Prinz Pump Manufacturing Company

3P PRINZ® CHEMICAL INJECTION PACKAGES



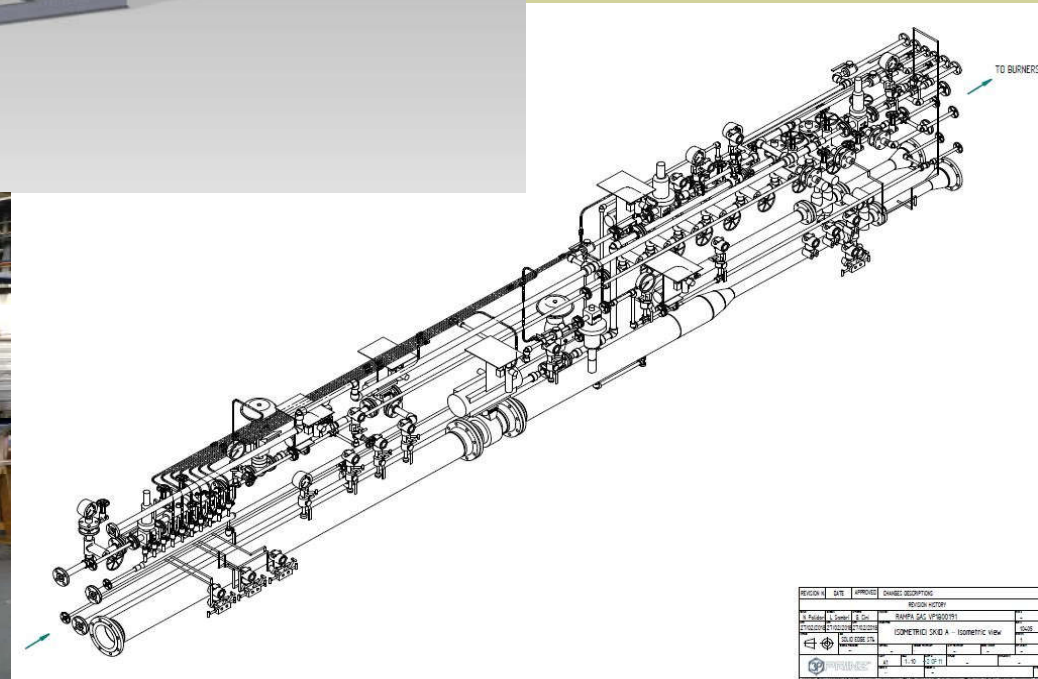
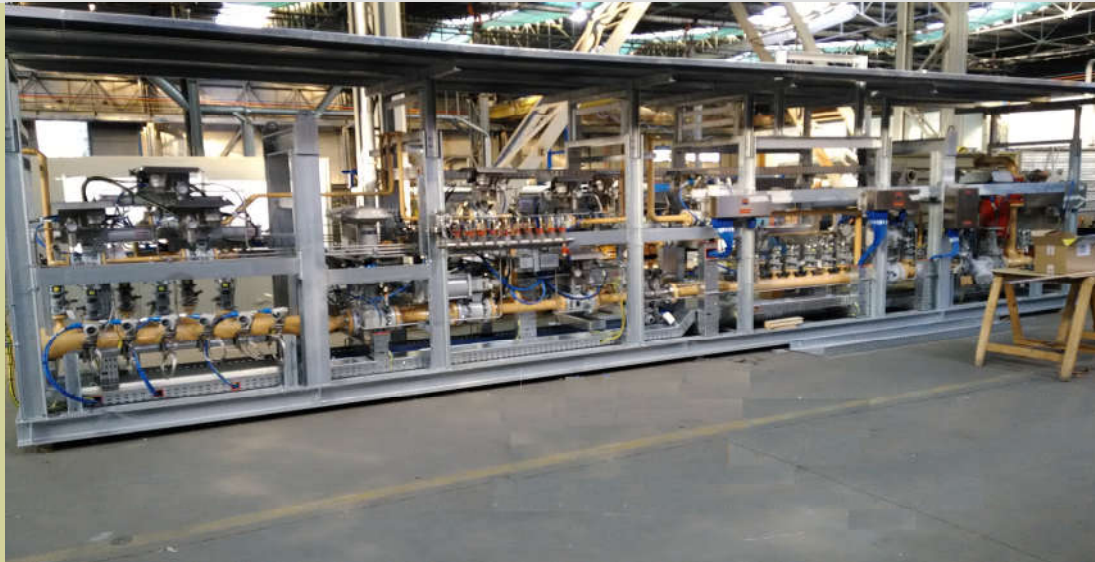
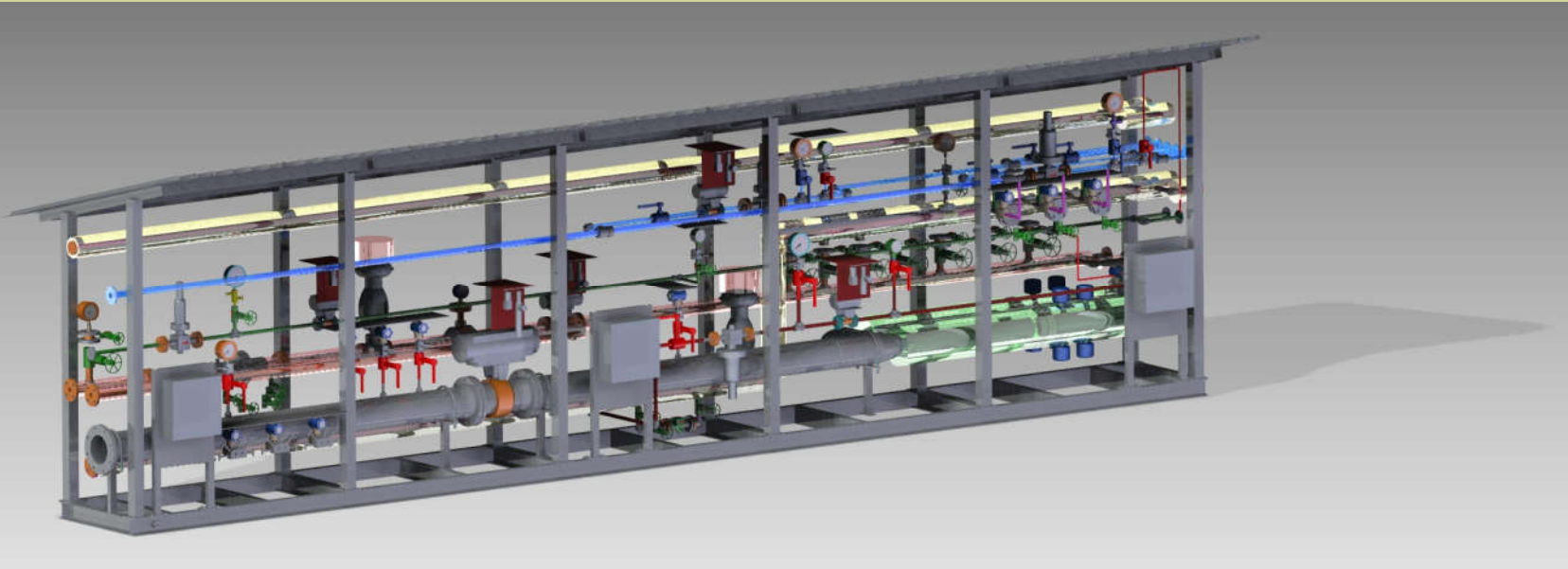
3P Prinz Pump Manufacturing Company

3P PRINZ® CHEMICAL INJECTION PACKAGES FOR OFFSHORE



3P Prinz Pump Manufacturing Company

3P PRINZ® FUEL GAS SUPPLY, METERING AND TREATMENT SKIDS



ring Company

3P PRINZ® FUEL GAS SUPPLY AND TREATMENT SKIDS



3P Prinz Pump Manufacturing Company

3P PRINZ® GAS METERING SKIDS



3P Prinz Pump Manufacturing Company

3P PRINZ® GAS Filtering SKIDS



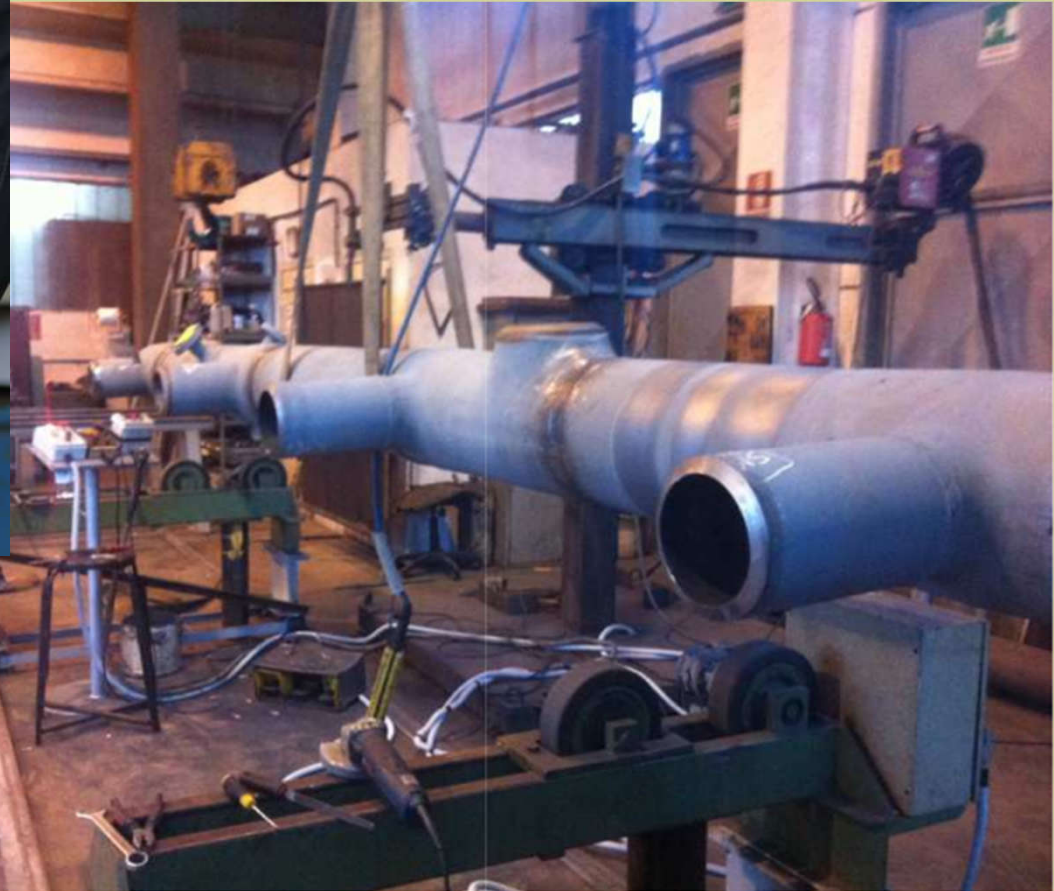
3P Prinz Pump Manufacturing Company

3P PRINZ® FUEL Forwarding SKIDS



3P Prinz Pump Manufacturing Company

3P PRINZ® PIPELINE MANIFOLDS



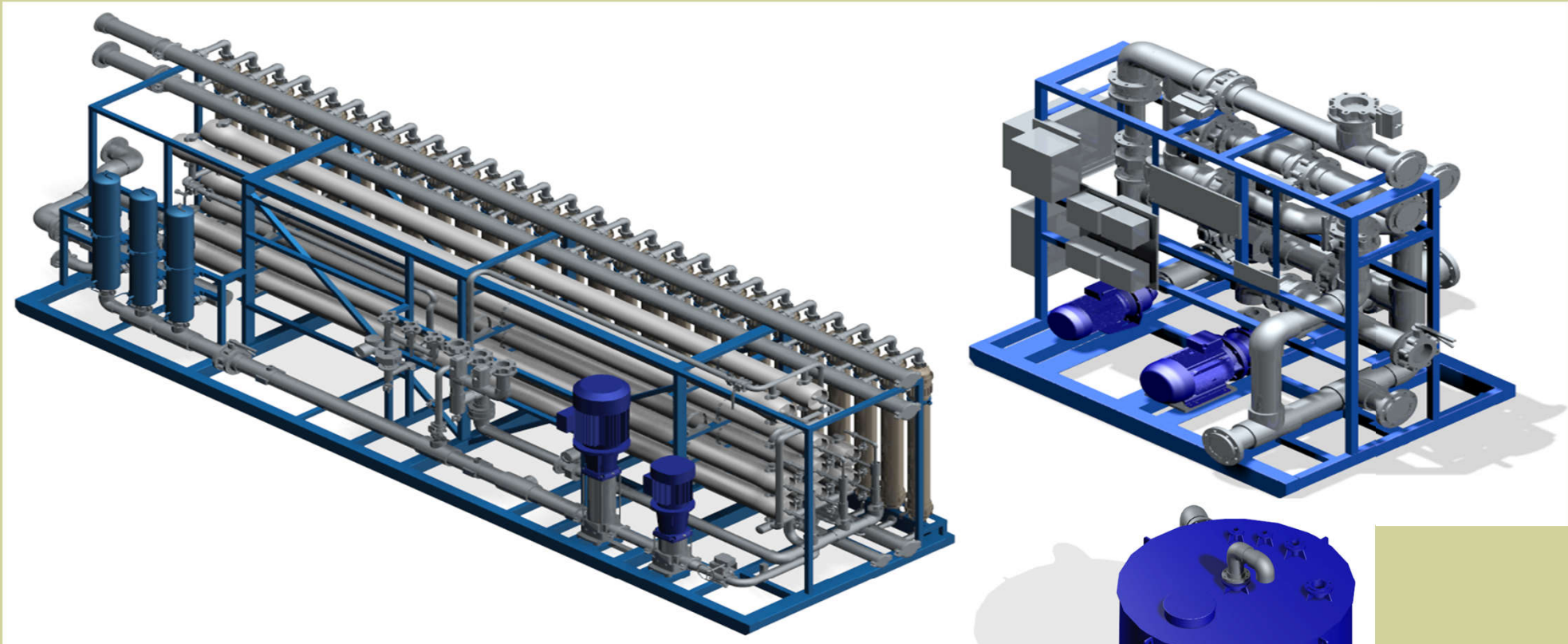
3P Prinz Pump Manufacturing Company

3P PRINZ® LARGE SKIDS

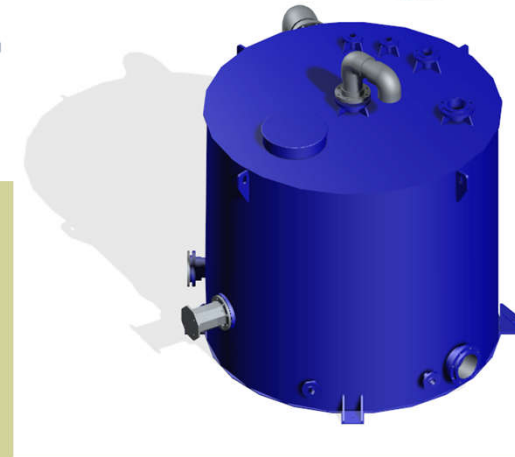


3P Prinz Pump Manufacturing Company

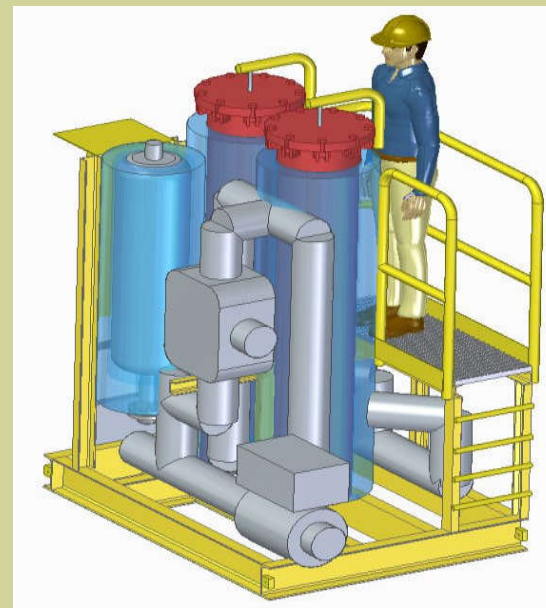
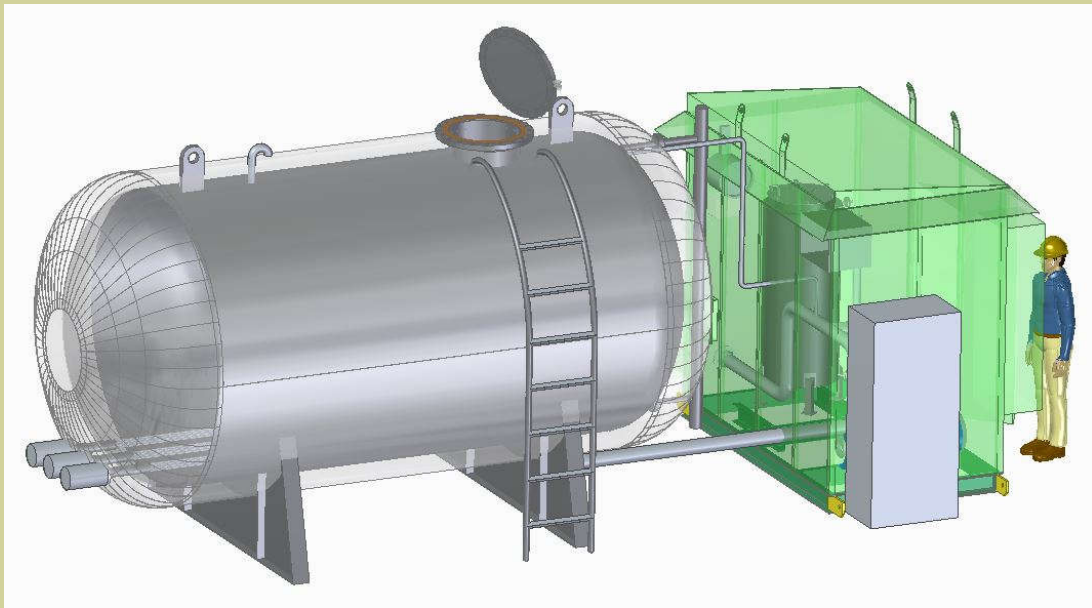
3P PRINZ® WATER TREATMENT SKIDS



RO (REVERSE OSMOSIS) AND UF (ULTRA FILTRATION) SKIDS
CIP SKIDS FOR RO SYSTEMS



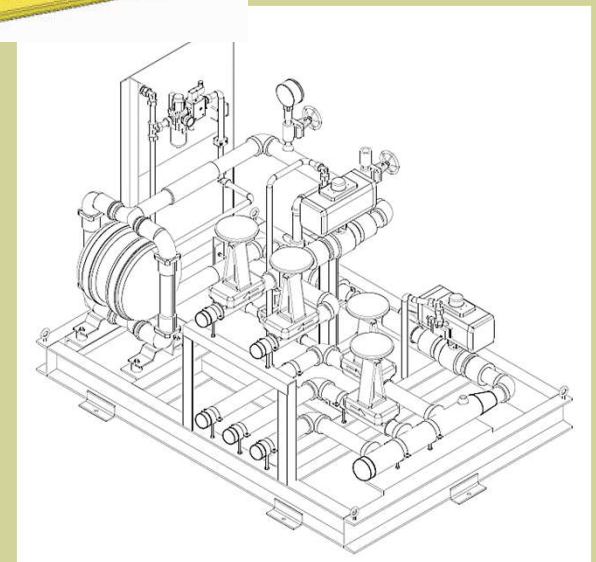
3P PRINZ® WATER TREATMENT SKIDS



PRODUCTION WATER TREATMENT SKIDS

TURBINE WATER WASH SKIDS

FILTRATION AND DEOILING SKIDS

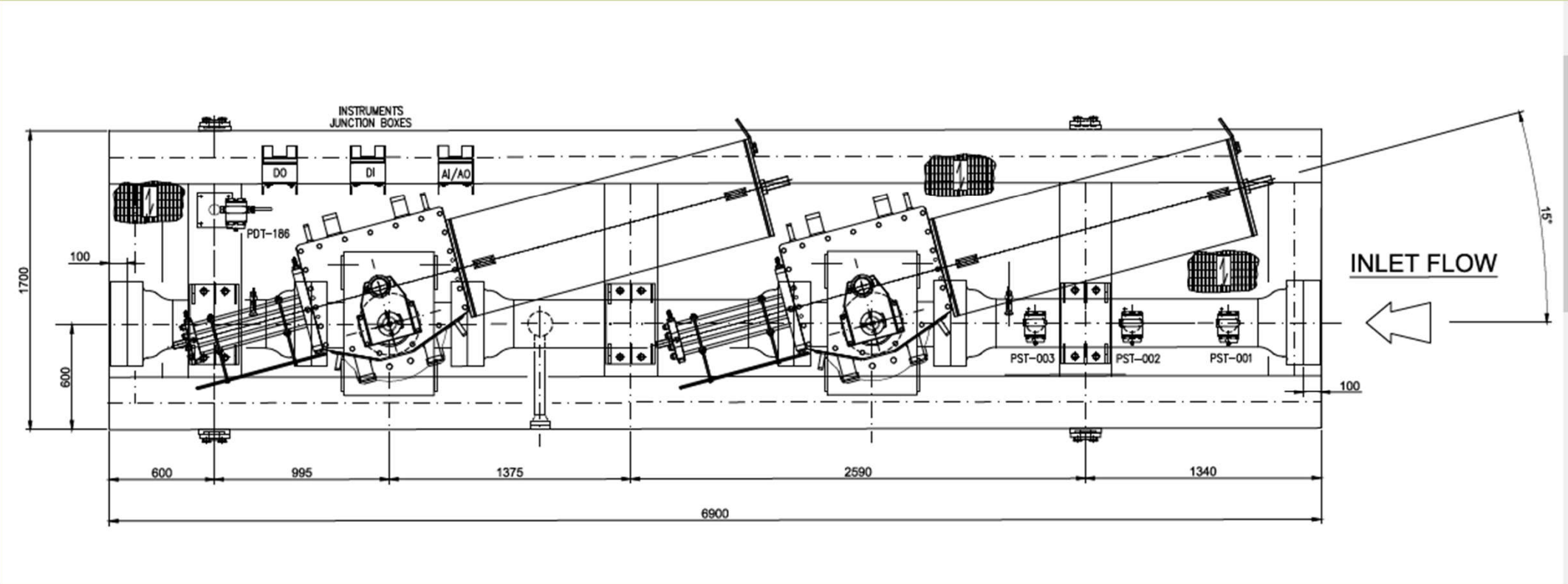


3P PRINZ® WATER TREATMENT SKIDS



CHEMICAL DOSING SKIDS, PANELS AND CABINETS

3P PRINZ® HIPPS SYSTEMS – SIL3 certified



PERA-PRINZ® TWIN SCREW PUMPS PACKAGES FOR MARINE APPLICATIONS

